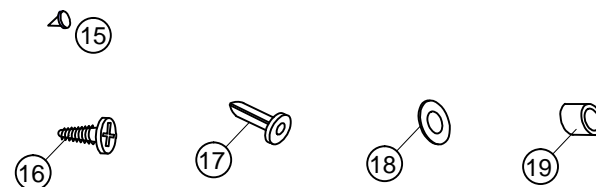
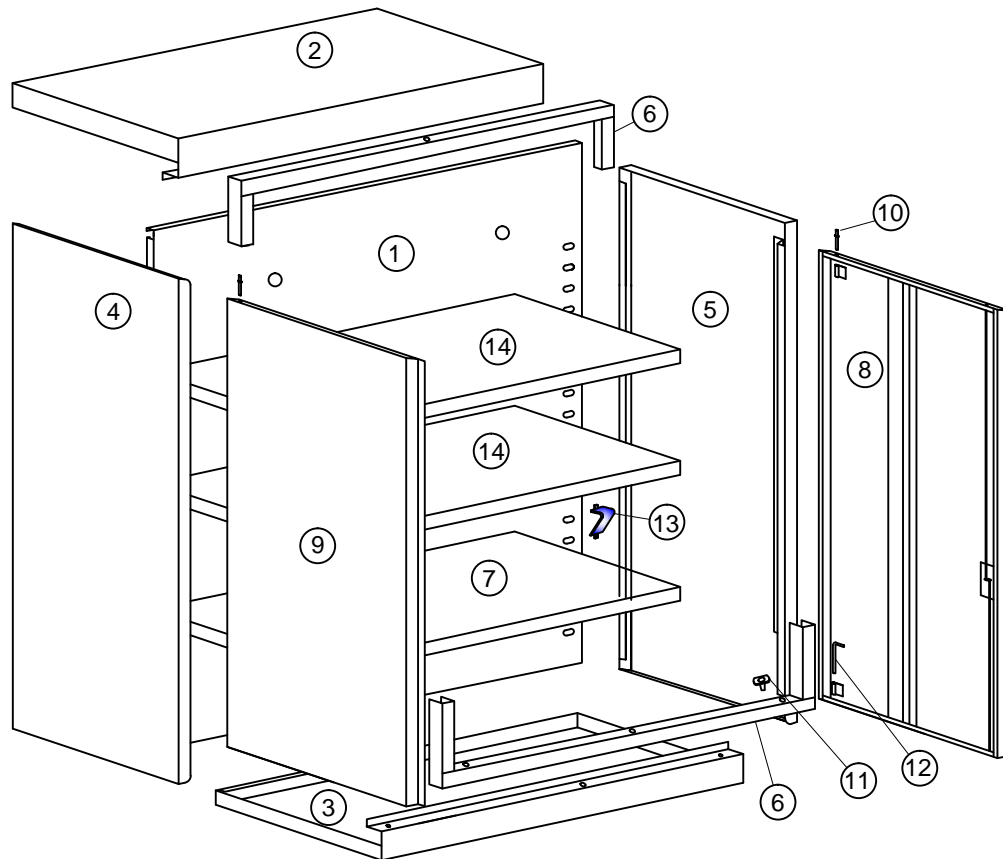


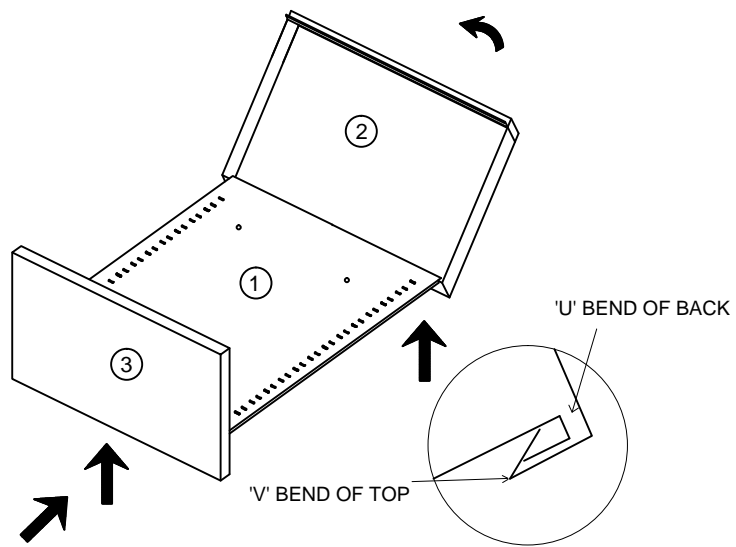
Parts List & Assembly Instruction STSWED-S

PART LIST

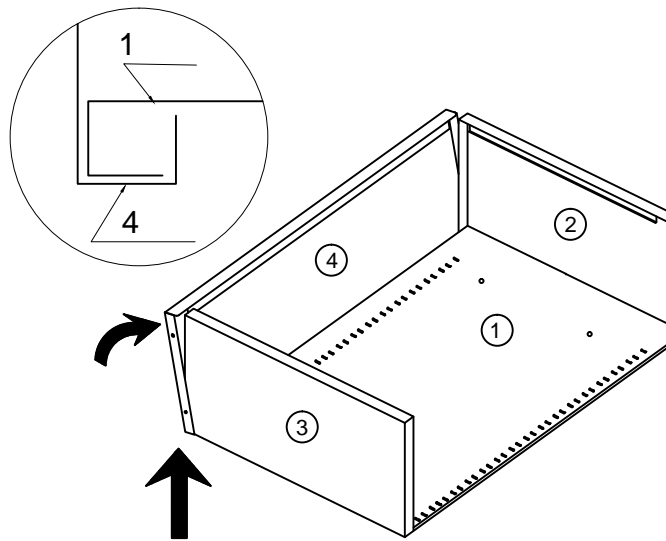
S No. Component Qty.

1.	BACK	01
2.	TOP	01
3.	BOTTOM	01
4.	LH SIDE	01
5.	RH SIDE	01
6.	"U" FRAM	02
7.	INNER BOTTOM	01
8.	RH DOOR	01
9.	LH DOOR	01
10.	TOP HINGE PIN	02
11.	BOTTOM HINGE BUSH	02
12.	BOTTOM HINGE	02
13.	SHELF SUPPORTS	08
14.	SHELF	02
15.	DOOR BANGERS	02
16.	SCREW M6	04
17.	WALL ANCHOR SUP.	04
18.	LEAF GASKET	04
19.	GASKET(15MM THK)	04

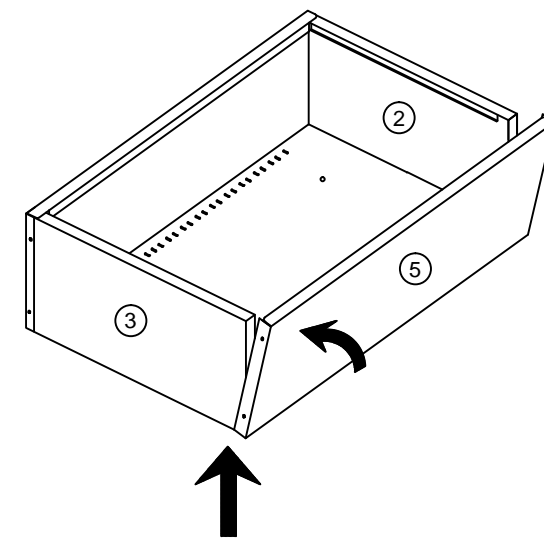




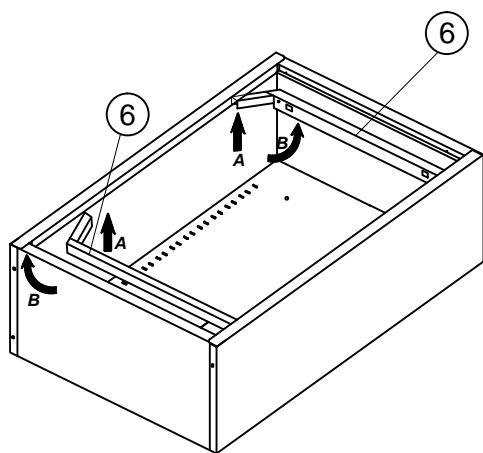
STEP-1: Assembly the Top & Bottom



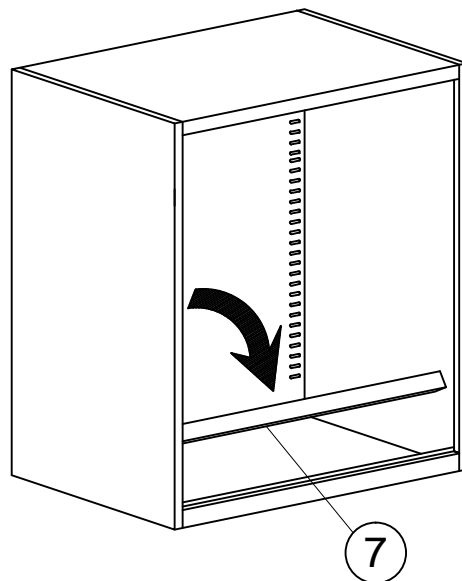
STEP-2: Assembly the LHSide



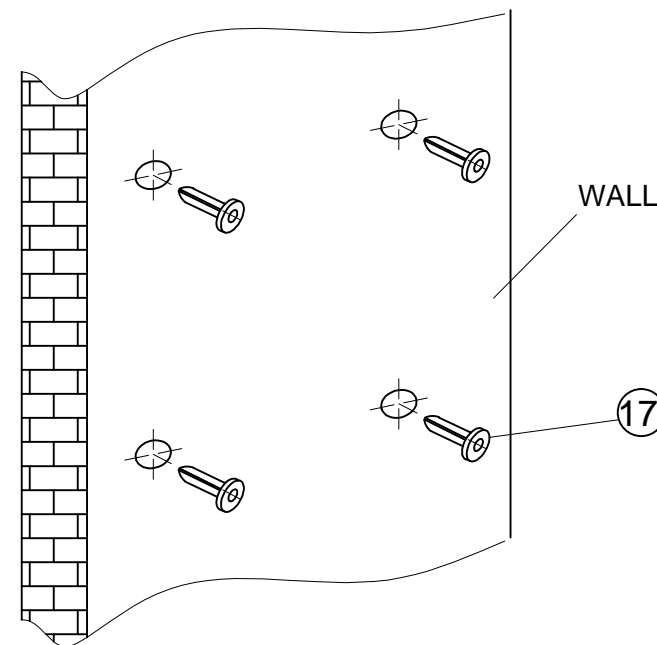
STEP-3: Assembly the RHSide



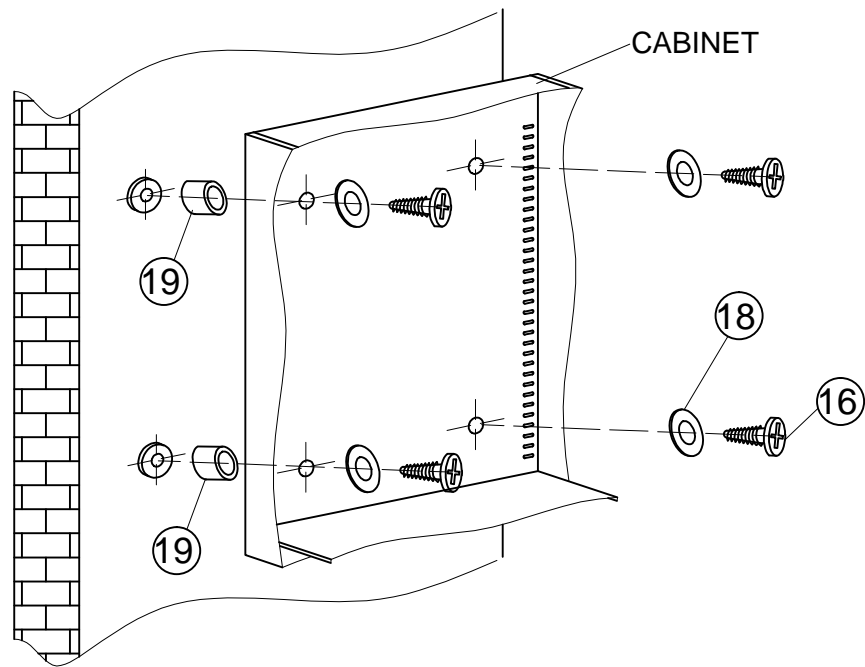
STEP-4: Assembly the U frame



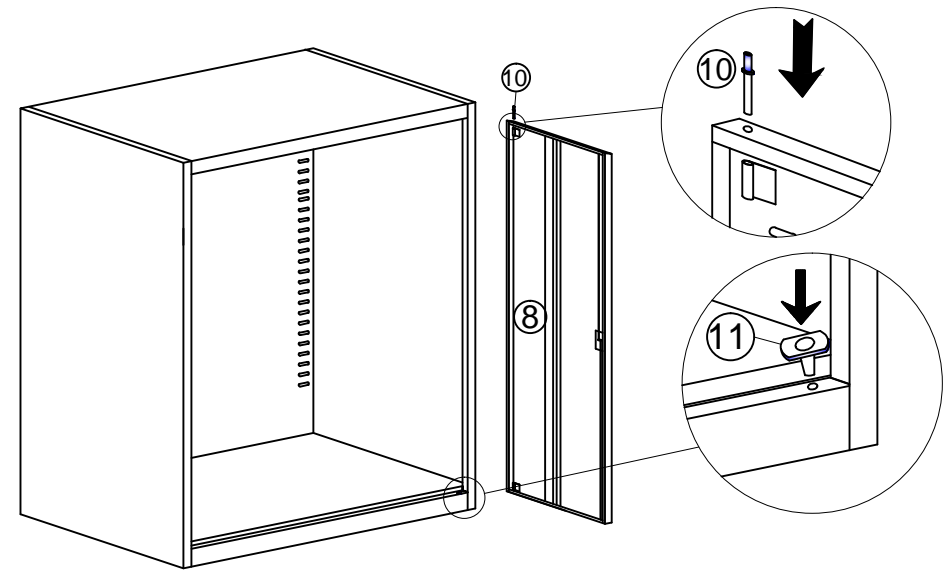
STEP-5: Assembly the inner Bottom



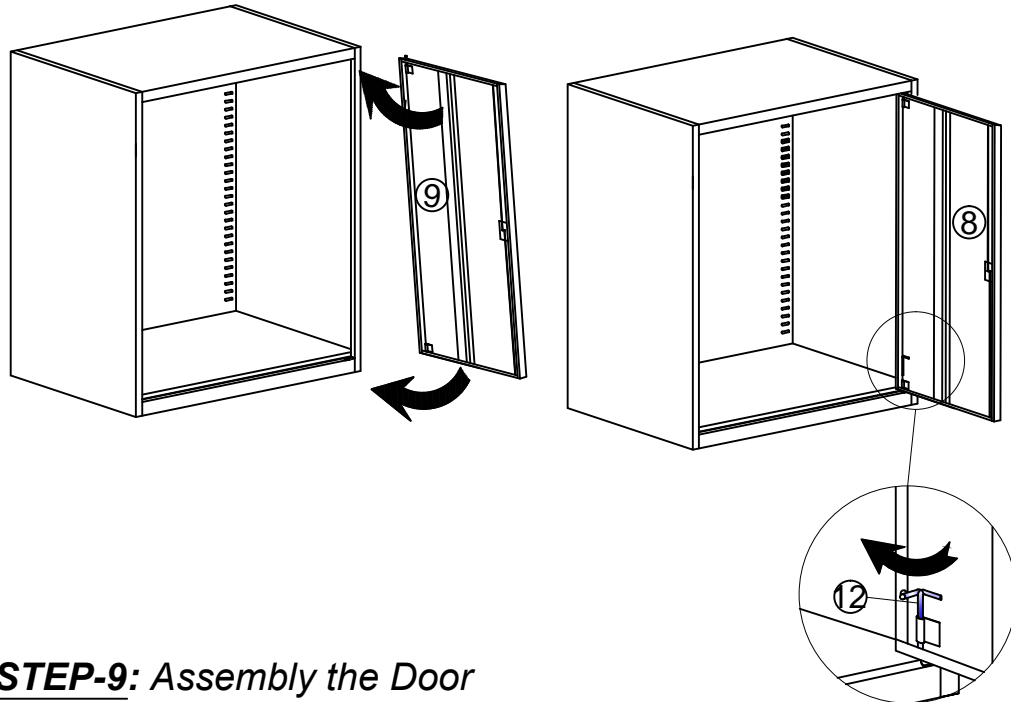
STEP-6: Assembly the Wall anchor support on the wall



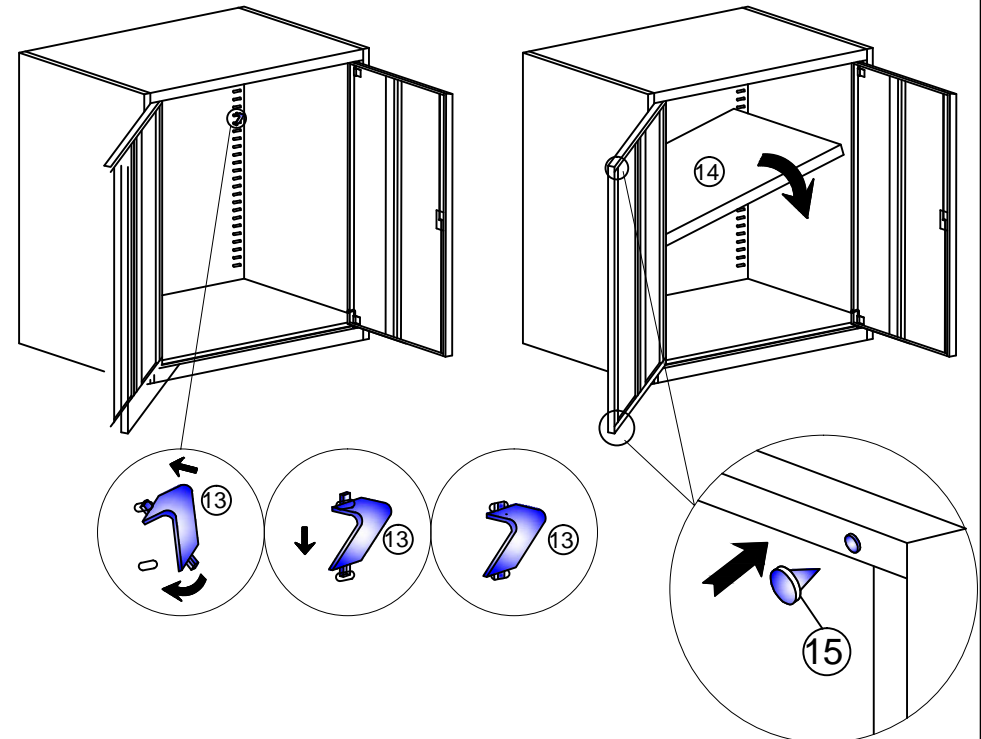
STEP-7: Assembly the Cabinet on the wall



STEP-8: Assembly the Hinge pin, bottom hinge push



STEP-9: Assembly the Door



STEP-10: Assembly the Shelf & Door banger